

BID DOCUMENT

Open Competitive Bid (OCB)

For

Procurement of Electronic Labs Tables

**For Campuses at Constituent Institutes of
Rajiv Gandhi University of Knowledge Technologies**

Proprietary & Confidential

**RAJIV GANDHI UNIVERSITY OF KNOWLEDGE
TECHNOLOGIES**

Ground floor, Vindhaya C4 building,

IIT-H, Gachibowli

HYDERABAD- 500 032

Phone: 040-23001830

Proprietary & Confidential

No part of this document can be reproduced in any form or by any means, disclosed or distributed to any person without the prior consent of RGUKT except to the extent required for submitting bid and no more.

Contents

Description	Page No.
Newspaper advertisement	4
Time Schedule	5
Tender Form	6
Statement of important limits and values of bid	7
Specifications	8
Note	9

News paper advertisement

Short Tender Notice



**RAJIV GANDHI UNIVERSITY OF KNOWLEDGE
TECHNOLOGIES**

**Ground floor, Vindhaya c4 building,
IIIT-H, Gachibowli,
HYDERABAD- 500 032
Phone: 040-23001830**

Sealed Tenders are hereby invited from reputed Manufacturers or suppliers for supply of **Electronic lab Tables** for three RGUKT IIITs located at Basara in Adilabad dist, Nuzvid in Krishna dist and R.K.Valley in YSR dist.

The last date of submission of Short Tender along with EMD as specified in the bid document is on 13-05-2011 on or before 4:00PM

Interested parties can collect the Tender document from the office of the RGUKT from 06-05-2011 to 13-05-2011 against payment of Rs. 5,000/- towards the cost of Tender document fee (non-refundable) through D.D. payable to REGISTRAR, RGUKT at Hyderabad. Further details visit our website www.rgukt.in

Date: 06-05-2011

**Sd/-
Registrar,
RGUKT**

Time schedule of various tender related events

(Procurement of Electronics Lab Tables)

Bid calling date	06 -05-2011
Last date for sale of tender document.	13-05-2011 at 01:00 PM
Bid Closing date/time	13-05-2011 at 04.00 PM
Bid opening date/time	13-05-2011 at 04:30 PM
Price Bid Opening date /time	16-05-2011 at 05:00 PM
Bid Document fee	Rs.5,000/-
Contact person	Registrar, RGUKT
Reference No	RGUKT/Tender/ELT/P1/008/2011

Registrar
RGUKT

TENDER FORM

Not transferable

Reference: No.RGUKT /Tender/ELT / P1/008/2011

Dated: 06-05-2011

Subject: Short Tender for supply of Electronic labs tables for RGUKT IIITs located at Basara (Adilabad Dist), Nuzvid (Krishna Dist) and RK Valley (Kadapa Dist)

Last date for submission of the TENDER AT HYDERABAD is on 13-05-2011 up to 04.00P.M

Dear Sir/Madam,

- A. RGUKT invites sealed tenders comprising technical bid and price bid separately from reputed Manufacturers or suppliers for supply of Electronic labs Tables for three RGUKT IIITs located at Basara (Adilabad Dist), Nuzvid (Krishna Dist) and R K Valley (Kadapa Dist).
- B. The Short Tender form consists of .23 pages of which pages 9 to 14 are instructions and page No 16 is financial bid. The duly completed Technical Bid together with a copy of the bid document (this tender) signed on all pages and the Price Bid should be kept in separate sealed covers and these sealed covers may be submitted in a sealed master envelope superscripted with "Tender for supply of Electronic labs Tables for three IIITs under the RGUKT. The last date for submission of TENDER is **13-05-2011 before 04.00 P.M.**
- C. The Sealed Tenders shall be deposited in the Tender box kept in the office of Registrar, RGUKT up to **04.00 P.M on 13-05-2011.**

RGUKT reserves the right to award the contract to one or more than one tendered.

For any clarification and further details on the above tender please contact Telephone No: 23001830 or Contact Person during office hours.

Thanking you

Yours faithfully,
Registrar, RGUKT

STATEMENT OF IMPORTANT LIMITS/VALUES RELATED TO BID

Item	Description
Submission of Samples	One sample of Electronic Lab table conforming to the specification of the tender to be submitted at the time of opening of technical bids.
EMD	Rs. 1,00,000 /-
Bid Validity Period	60 days from the date of opening of commercial bid
EMD Validity Period	60 days from the date of opening of commercial bid
Warranty Period	One year
Variation in quantities	+/- 40%
Period for furnishing performance Security	Within 10 days from date of receipt of award
Delivery Schedule	Bidder shall deliver the goods in one single lot within 30 days from the date of award of the contract.
Performance security value	3% of contract value
Performance security validity period	One year from award of contract
Period for signing the order Acceptance	Within 7 days from date of receipt of notification of award
Payment terms	
On delivery at user site	95% of contract value, within 15 days of acceptance of material. Balance 5% within 2 months Note: Acceptance of material will be only after receipt of Electronic labs Tables and after receipt of reports of technical tests on random samples confirming adherence to tender specifications.
Maximum Liquidated Damages for late deliveries	3% for each week of delayed supply, maximum of 9%. If delay continues beyond two weeks, contract is liable for cancellation

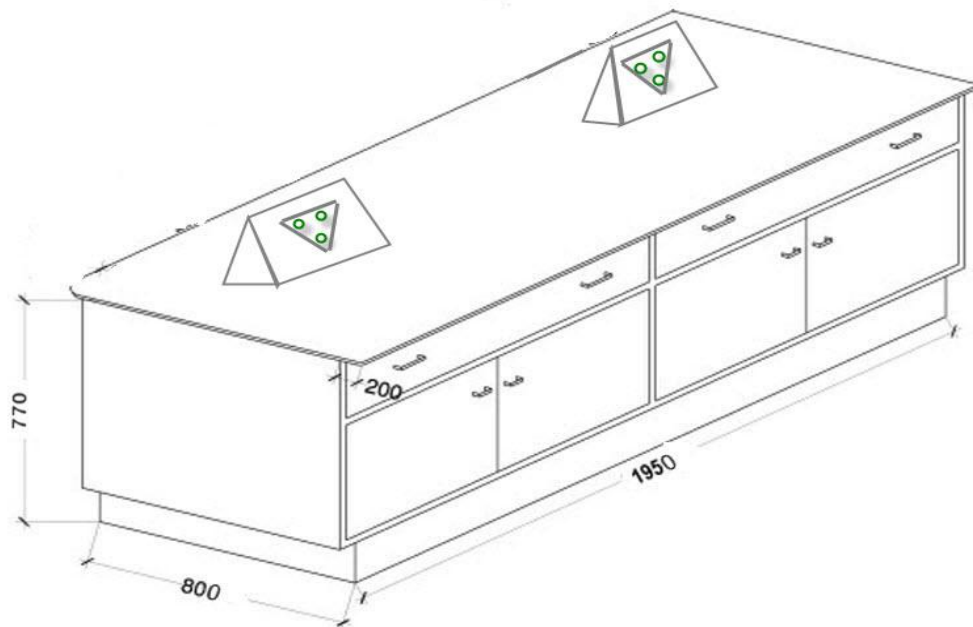
Specifications

ELECTRONICS LAB TABLE: Quantity:- 150

Specifications:

1. Size of table 1950 mm x 800 mm x 770 mm.
2. Top of table 25 mm IS 303 water proof grade standard plywood with 0.8 mm P,D,L,S pressed with corner teak wood beading.
3. Frame legs supports shall be salwood with 6 legs 50x50 thickness with frame and supports 75x50.
4. 3 side 12 mm IS 303 water proof grade standard plywood with 0.8 mm P,D,L,S pressed with 3 sides covered,
Front side 18 mm plywood IS 304 water proof grade standard plywood with 0.8 mm P,D,L,S pressed 1 drawer 1 cupboard with 2 sides.
5. Backside supported plank fitted with electrical arrangement 6 Nos. 3 in one 5 amps, 2 Nos. of indicator lamp, 6 Nos. main switch 5 amp and 10 Nos. BT terminals.
6. Plus or minus 5 mm tolerance is allowed for over all dimensions.

ELECTRONIC LAB TABLE



NOTE

A complete set of bidding documents may be purchased by interested bidders from the RGUKT contact person upon payment of the bid document price which is non-refundable. Payment of bid document price should be by demand draft / cashier's cheque or certified cheque drawn in favor of "Registrar , Rajiv Gandhi University of Knowledge Technologies " and payable at Hyderabad (India).